

NPN Triangle Big Muff Pi (BMP)

gaussmarkov

December 3, 2007

<http://gaussmarkov.net/wordpress/circuits/big-muff-pi-triangle-version/>

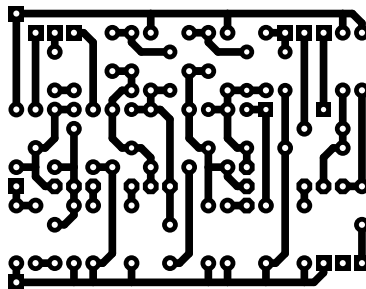
Notes

SOURCE: <http://www.diystompboxes.com/pedals/schems/bigmuffpit.gif>.

There appears to be errors on this old schematic. The 10K pots should all be 100K according to every other source that I checked. I was not aware of this until Georg Muenzel pointed it out to me.

PCB Image

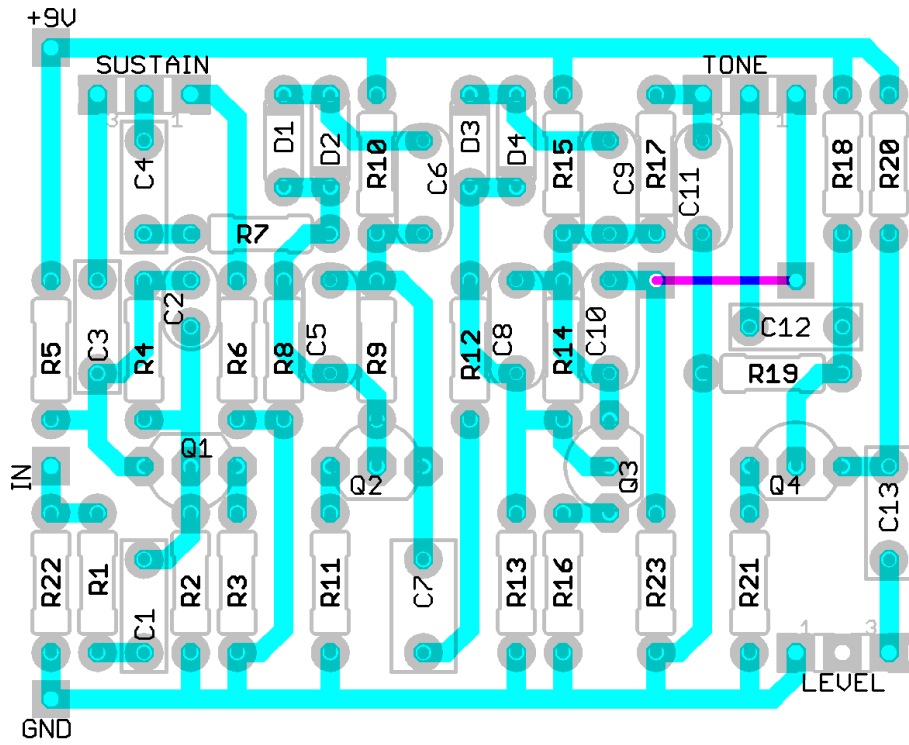
When printing this image, use “Page Scaling: None” in the Adobe Reader print dialog.



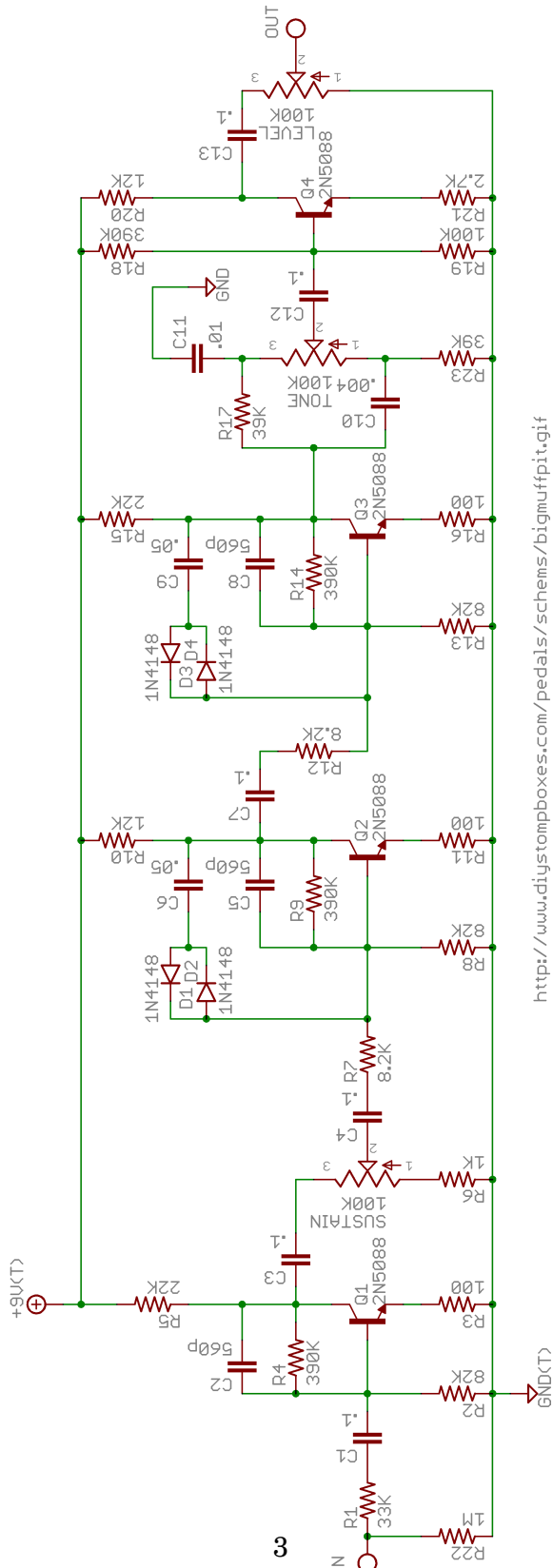
Layout

npn triangle big muff pi

05.07.2006 gaussmarkov



Schematic



<http://www.diystompboxes.com/pedals/schems/bigmuffpit.gif>

Parts

Part list for Triangle Big Muff Pi on gaussmarkov.net

Part	Value	Library	Part	Value	Library
C1	.1	gm-caps-film-box	R1	33K	gm-resistors
C2	560p	gm-caps-ceramic	R2	82K	gm-resistors
C3	.1	gm-caps-film-box	R3	100	gm-resistors
C4	.1	gm-caps-film-box	R4	390K	gm-resistors
C5	560p	gm-caps-film-chicklet	R5	22K	gm-resistors
C6	.05	gm-caps-film-chicklet	R6	1K	gm-resistors
C7	.1	gm-caps-film-box	R7	8.2K	gm-resistors
C8	560p	gm-caps-film-chicklet	R8	82K	gm-resistors
C9	.05	gm-caps-film-chicklet	R9	390K	gm-resistors
C10	.004	gm-caps-film-chicklet	R10	12K	gm-resistors
C11	.01	gm-caps-film-chicklet	R11	100	gm-resistors
C12	.1	gm-caps-film-box	R12	8.2K	gm-resistors
C13	.1	gm-caps-film-box	R13	82K	gm-resistors
D1	1N4148	gm-diodes	R14	390K	gm-resistors
D2	1N4148	gm-diodes	R15	22K	gm-resistors
D3	1N4148	gm-diodes	R16	100	gm-resistors
D4	1N4148	gm-diodes	R17	39K	gm-resistors
Q1	2N5088	gm-trans	R18	390K	gm-resistors
Q2	2N5088	gm-trans	R19	100K	gm-resistors
Q3	2N5088	gm-trans	R20	12K	gm-resistors
Q4	2N5088	gm-trans	R21	2.7K	gm-resistors
			R22	1M	gm-resistors
			R23	39K	gm-resistors
			LEVEL	100K	gm-pots
			SUSTAIN	100K	gm-pots
			TONE	100K	gm-pots