

# Brown Sound in a Box (BSIAB) 2

gaussmarkov

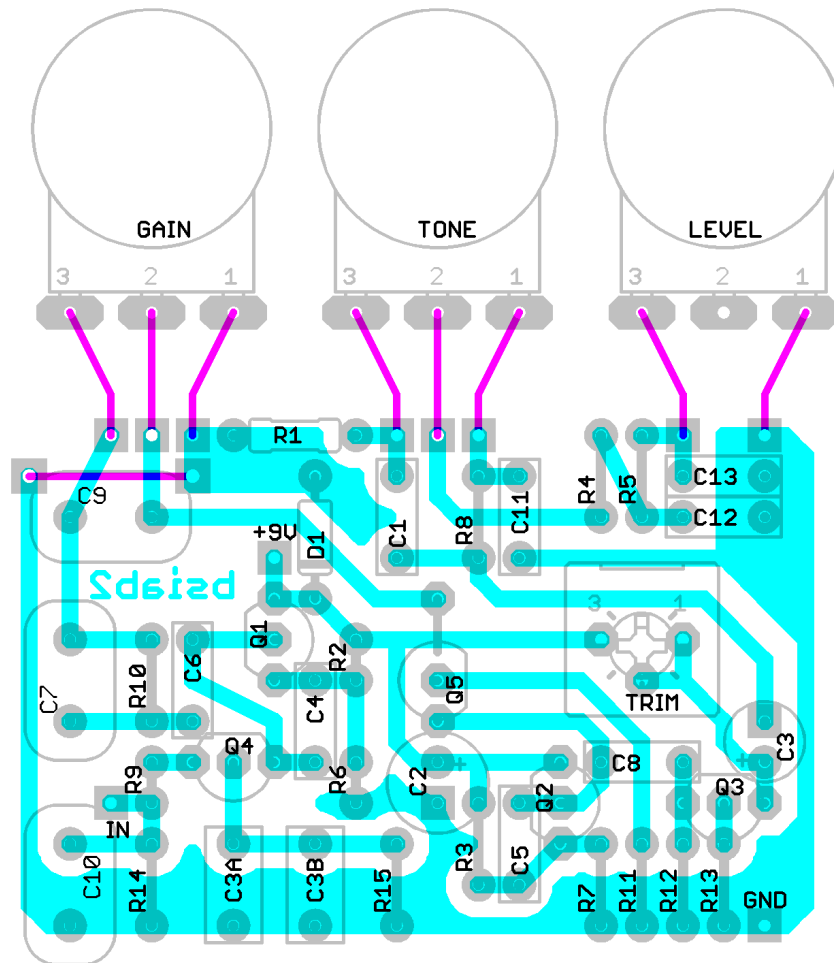
June 5, 2007

<http://gaussmarkov.net/index.php?page=layouts#bsiab2>

Note: I have changed the diode in the power supply section following the advice of R. G. Keen in

[http://www.geofex.com/Article\\_Folders/mosswitch/mosswitch.htm](http://www.geofex.com/Article_Folders/mosswitch/mosswitch.htm)

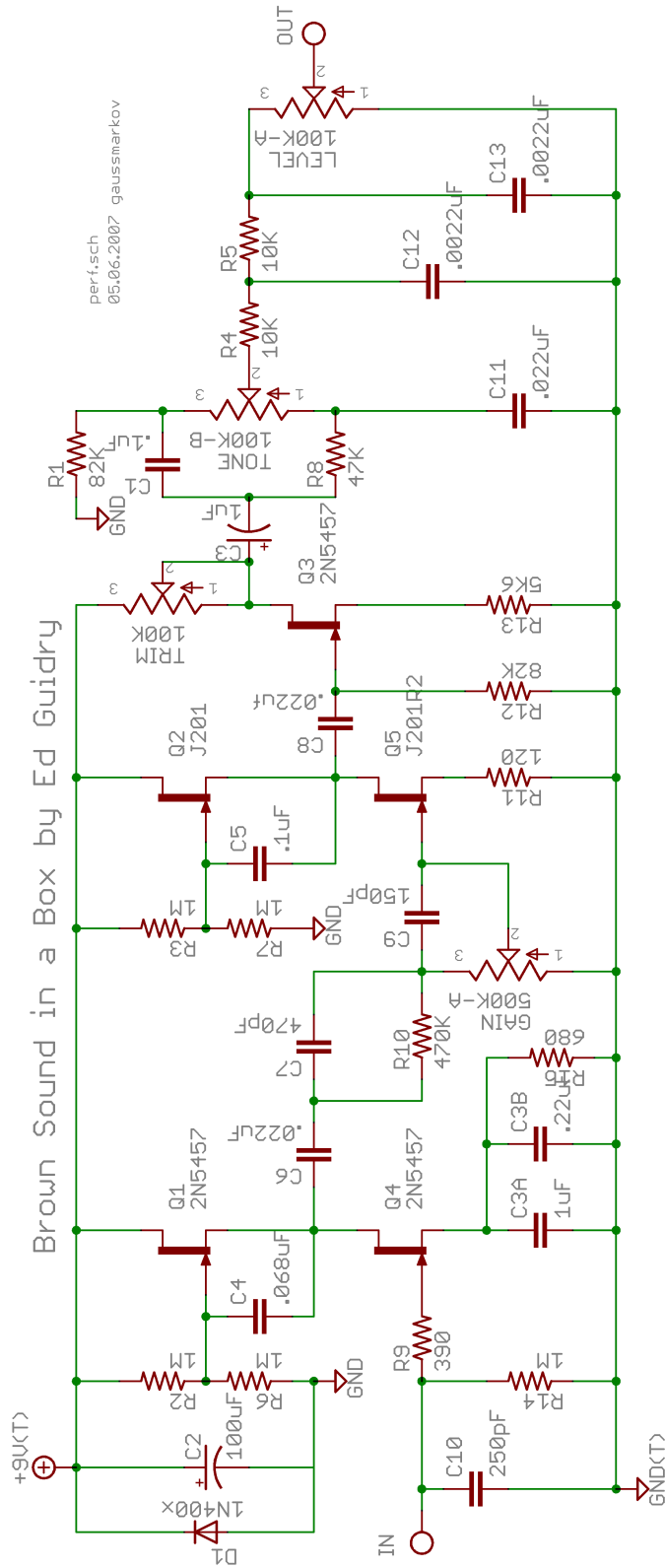
## Layout



Brown Sound in a Box by Ed Guidry

05.06.2007 gaussmarkov

# Schematic



## Parts List

Part	Value	Library	Part	Value	Library
C1	.1uF	gm-caps-film-box	R1	82K	gm-resistors
C2	100uF	gm-caps-electro-pol	R2	1M	gm-resistors
C3	1uF	gm-caps-electro-pol	R3	1M	gm-resistors
C3A	1uF	gm-caps-film-box	R4	10K	gm-resistors
C3B	.22uF	gm-caps-film-box	R5	10K	gm-resistors
C4	.068uF	gm-caps-film-box	R6	1M	gm-resistors
C5	.1uF	gm-caps-film-box	R7	1M	gm-resistors
C6	.022uF	gm-caps-film-box	R8	47K	gm-resistors
C7	470pF	gm-caps-mica	R9	390	gm-resistors
C8	.022uf	gm-caps-film-box	R10	470K	gm-resistors
C9	150pF	gm-caps-mica	R11	120	gm-resistors
C10	250pF	gm-caps-mica	R12	82K	gm-resistors
C11	.022uF	gm-caps-film-box	R13	5K6	gm-resistors
C12	.0022uF	gm-caps-film-box	R14	1M	gm-resistors
C13	.0022uF	gm-caps-film-box	R15	680	gm-resistors
D1	1N400x	gm-diodes	GAIN	500K-A	gm-pots
Q1	2N5457	gm-trans	LEVEL	100K-A	gm-pots
Q2	J201	gm-trans	TONE	100K-B	gm-pots
Q3	2N5457	gm-trans	TRIM	100K 3/8"	gm-pots
Q4	2N5457	gm-trans			
Q5	J201	gm-trans			

## PCB Image

When printing this image, use "Page Scaling: None" in the Adobe Reader print dialog.

