

The Crank

by Mark Hammer

gaussmarkov

February 3, 2007

<http://gaussmarkov.net/index.php?page=layouts#crank>

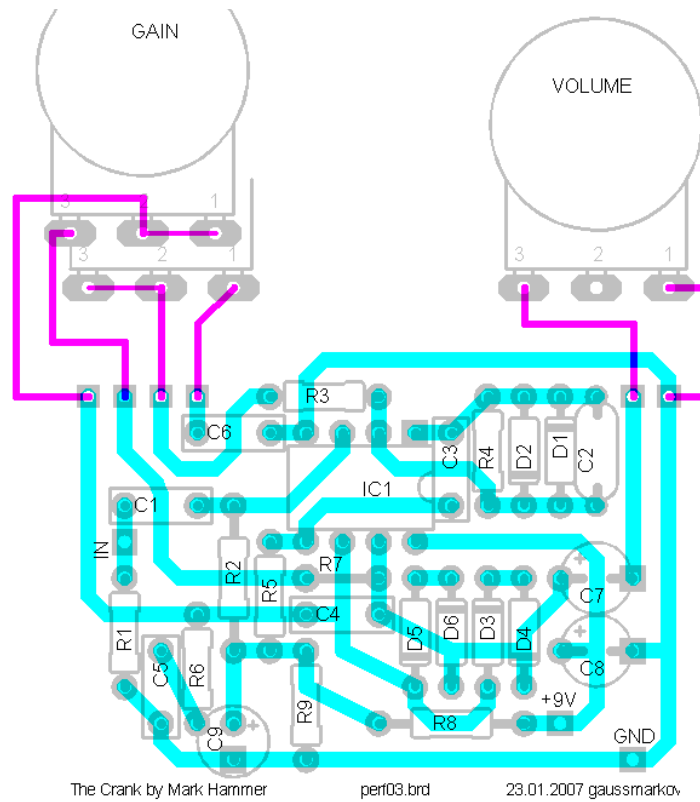
Notes

The online source for this excellent booster is on the page

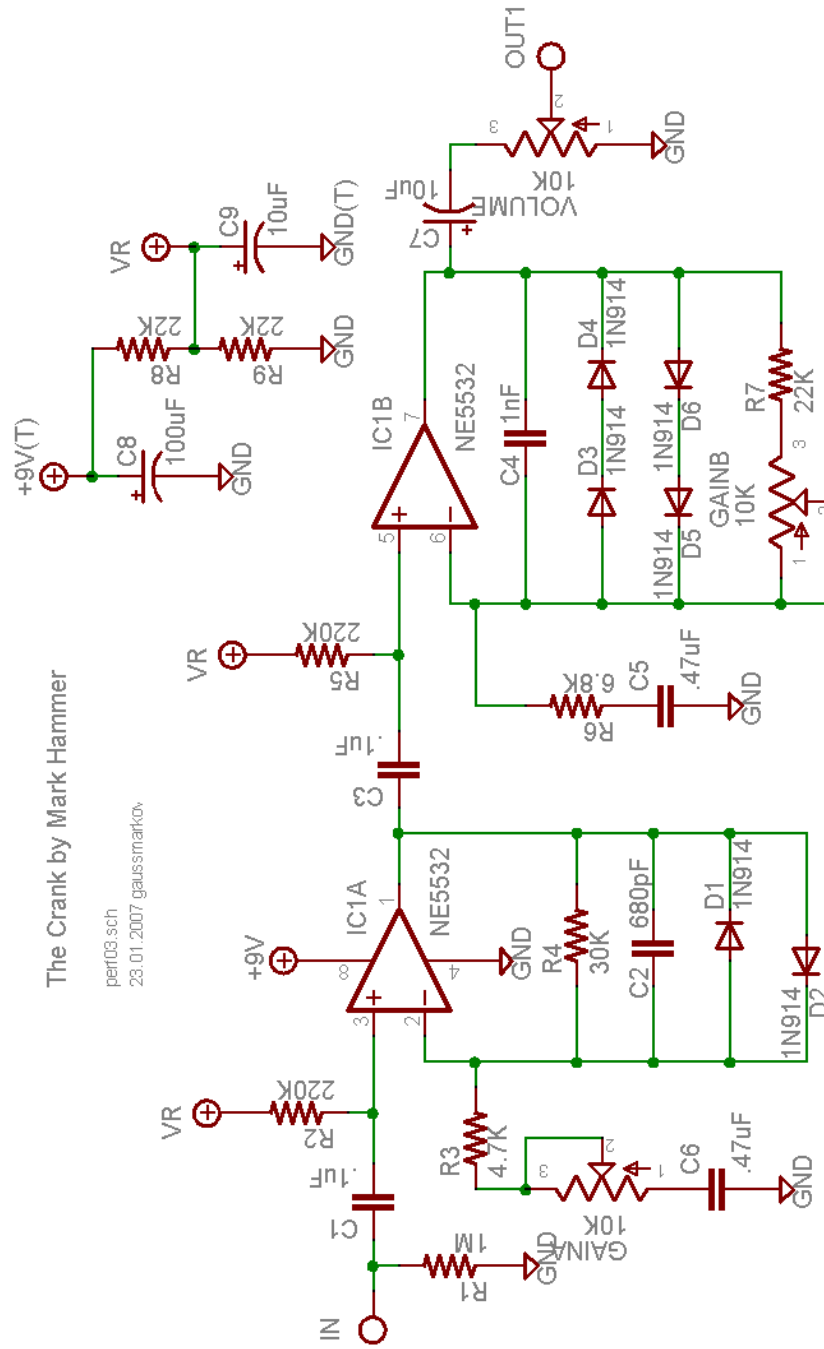
<http://hammer.ampage.org/?cmd=lt&xid=&fid=&ex=&pg=2>.

Mark Hammer gives an interesting discussion of his design along with his schematic.

Layout



Schematic



Parts List

Partlist for the Crank by Mark Hammer

Part	Value	Library	Part	Value	Library
C1	.1uF	gm-caps-film-box	IC1	NE5532	gm-ics
C2	680pF	gm-caps-film-chicklet	R1	1M	gm-resistors
C3	.1uF	gm-caps-film-box	R2	220K	gm-resistors
C4	1nF	gm-caps-film-box	R3	4.7K	gm-resistors
C5	.47uF	gm-caps-film-box	R4	30K	gm-resistors
C6	.47uF	gm-caps-film-box	R5	220K	gm-resistors
C7	10uF	gm-caps-electro-pol	R6	6.8K	gm-resistors
C8	100uF	gm-caps-electro-pol	R7	22K	gm-resistors
C9	10uF	gm-caps-electro-pol	R8	22K	gm-resistors
D1	1N914	gm-diodes	R9	22K	gm-resistors
D2	1N914	gm-diodes	GAIN	10K	gm-pots (DUALGANGED)
D3	1N914	gm-diodes	VOLUME	10K	gm-pots
D4	1N914	gm-diodes			
D5	1N914	gm-diodes			
D6	1N914	gm-diodes			

PCB Image

When printing this image, use "Page Scaling: None" in the Adobe Reader print dialog.

