

Green Ringer

gaussmarkov

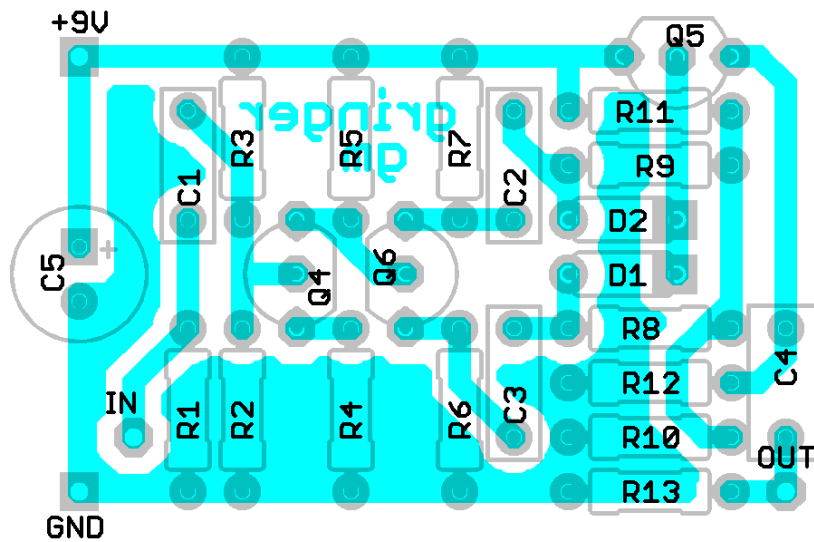
July 18, 2007

<http://gaussmarkov.net/index.php?page=layouts#gringer>

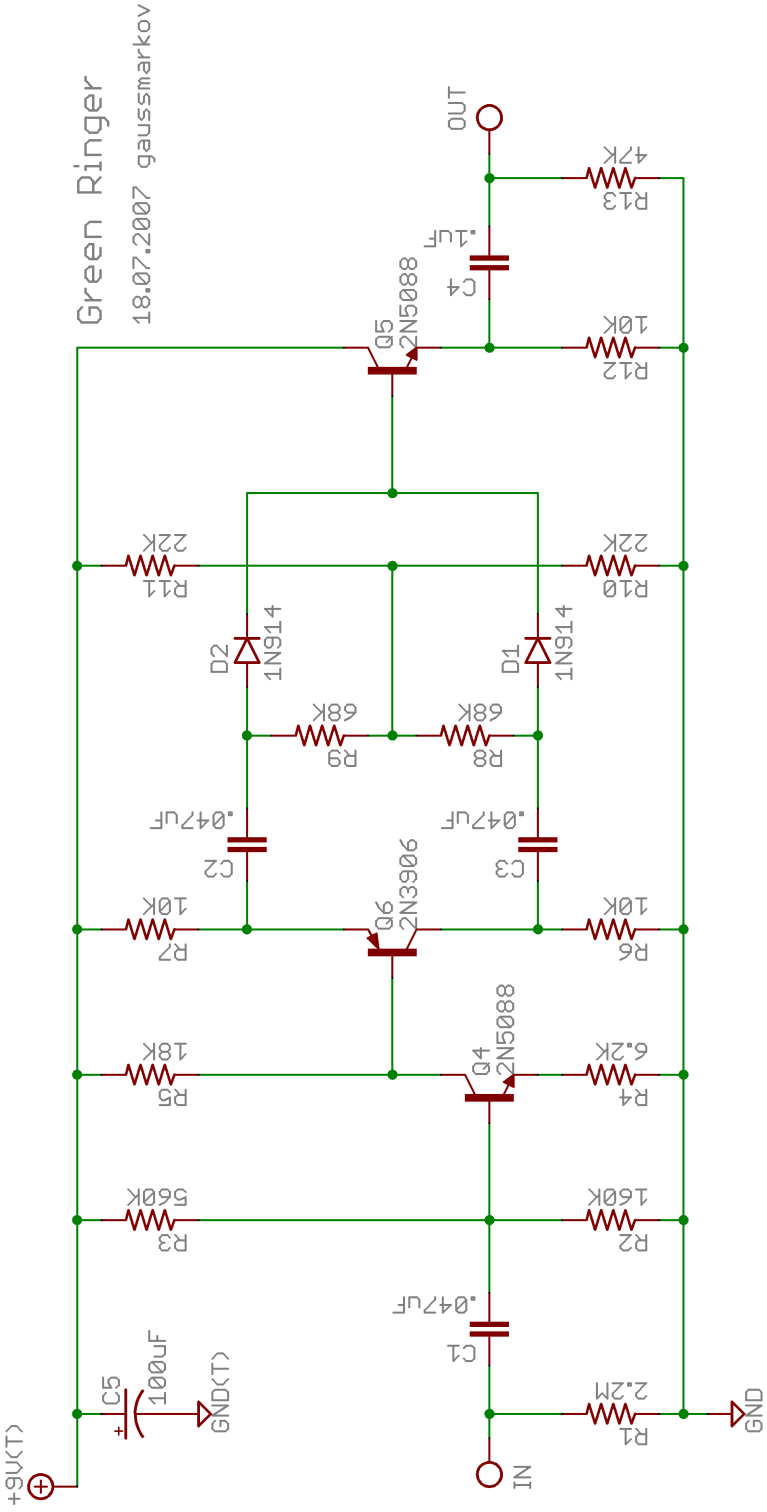
Notes

SOURCE: <http://www.tonepad.com/>.

Layout



Schematic



Parts

C1	.047uF	gm-caps-film-box
C2	.047uF	gm-caps-film-box
C3	.047uF	gm-caps-film-box
C4	.1uF	gm-caps-film-box
C5	100uF	gm-caps-electro-pol
D1	1N914	gm-diodes
D2	1N914	gm-diodes
Q4	2N5088	gm-trans
Q5	2N5088	gm-trans
Q6	2N3906	gm-trans
R1	2.2M	gm-resistors
R2	160K	gm-resistors
R3	560K	gm-resistors
R4	6.2K	gm-resistors
R5	18K	gm-resistors
R6	10K	gm-resistors
R7	10K	gm-resistors
R8	68K	gm-resistors
R9	68K	gm-resistors
R10	22K	gm-resistors
R11	22K	gm-resistors
R12	10K	gm-resistors
R13	47K	gm-resistors

PCB Image

When printing this image, use “Page Scaling: None” in the Adobe Reader print dialog.

