

# EH Hot Tubes Clone

gaussmarkov

June 24, 2008

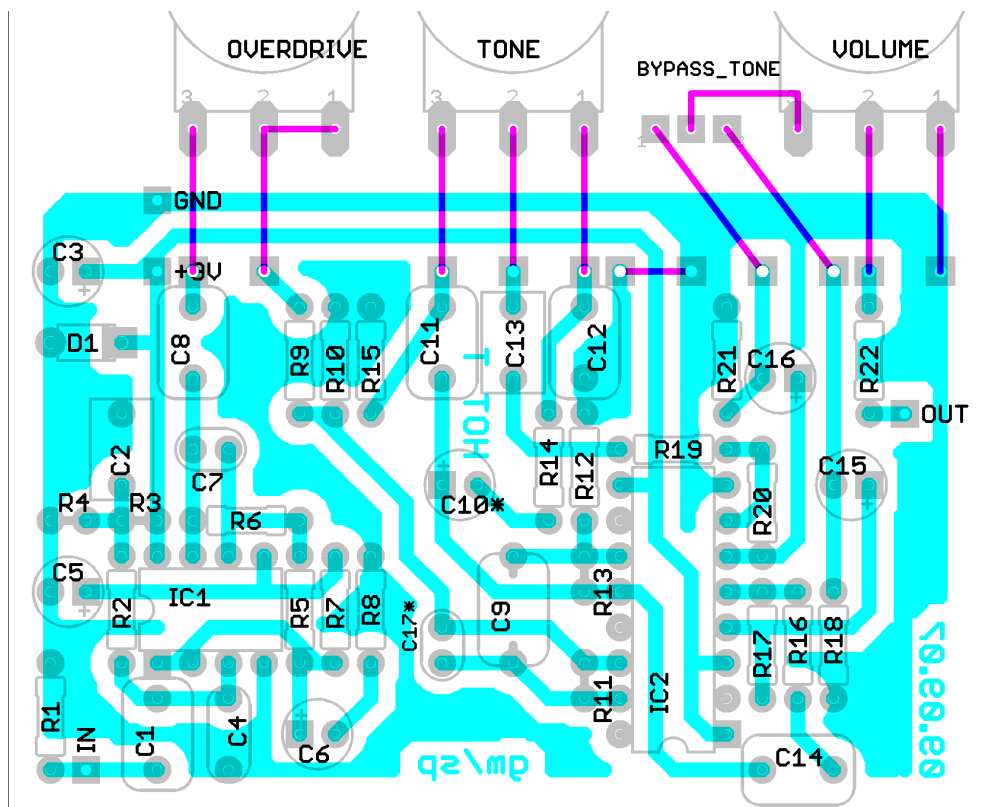
<http://gaussmarkov.net/wordpress/circuits/hot-tubes-clone/>

## Notes

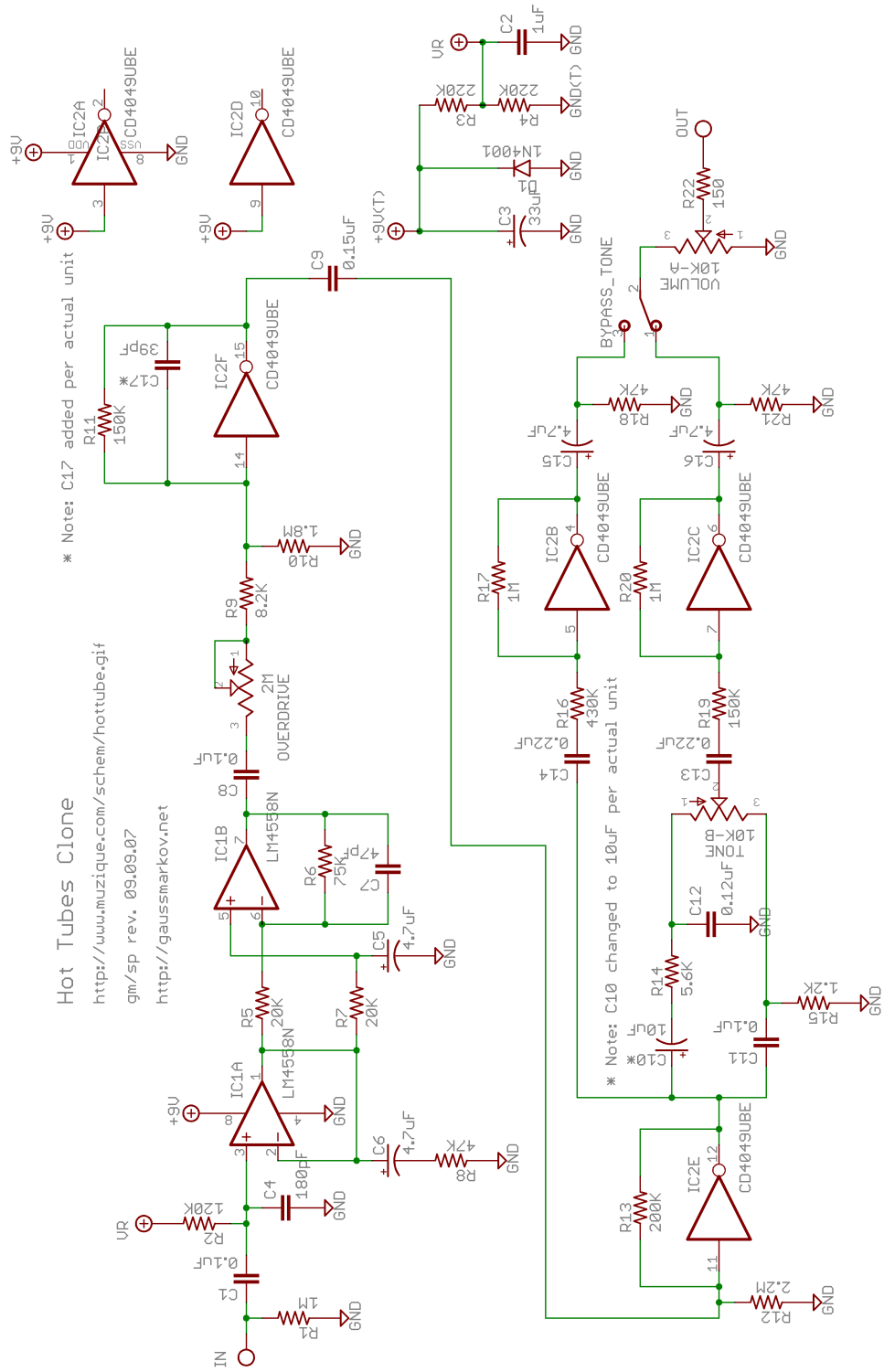
SOURCE: <http://www.muzique.com/schem/hottube.gif>

If it were not for the co-operation of several people on Aron's diystompboxes forum, this circuit would not be working properly. See the discussion that led to changing a capacitor value and adding a new capacitor [here](#).

## Layout



# Schematic



## Parts List

Part	Value	Library	Part	Value	Library
C1	0.1uF	gm-caps-film-chicklet	R1	1M	gm-resistors
C2	1uF	gm-caps-film-box	R2	120K	gm-resistors
C3	33uF	gm-caps-electro-pol	R3	220K	gm-resistors
C4	180pF	gm-caps-film-chicklet	R4	220K	gm-resistors
C5	4.7uF	gm-caps-electro-pol	R5	20K	gm-resistors
C6	4.7uF	gm-caps-electro-pol	R6	75K	gm-resistors
C7	47pF	gm-caps-ceramic	R7	20K	gm-resistors
C8	0.1uF	gm-caps-film-chicklet	R8	47K	gm-resistors
C9	0.15uF	gm-caps-film-chicklet	R9	8.2K	gm-resistors
C10	10uF	gm-caps-film-box	R10	1.8M	gm-resistors
C11	0.1uF	gm-caps-film-chicklet	R11	150K	gm-resistors
C12	0.12uF	gm-caps-film-chicklet	R12	2.2M	gm-resistors
C13	0.22uF	gm-caps-film-box	R13	200K	gm-resistors
C14	0.22uF	gm-caps-film-chicklet	R14	5.6K	gm-resistors
C15	4.7uF	gm-caps-electro-pol	R15	1.2K	gm-resistors
C16	4.7uF	gm-caps-electro-pol	R16	430K	gm-resistors
C17	39pF	gm-caps-ceramic	R17	1M	gm-resistors
D1	1N4001	gm-diodes	R18	47K	gm-resistors
			R19	150K	gm-resistors
			R20	1M	gm-resistors
			R21	47K	gm-resistors
			R22	150	gm-resistors
			OVERDRIVE	2M	gm-pots
			TONE	10K-B	gm-pots
			VOLUME	10K-A	gm-pots
			IC1	LM4558N	gm-ics
			IC2	CD4049UBE	gm-ics
			BYPASS_TONE		gm-switches

## PCB Image

When printing this image, use “Page Scaling: None” in the Adobe Reader print dialog.

