

# EH Op Amp Big Muff Pi Clone

gaussmarkov

April 4, 2007

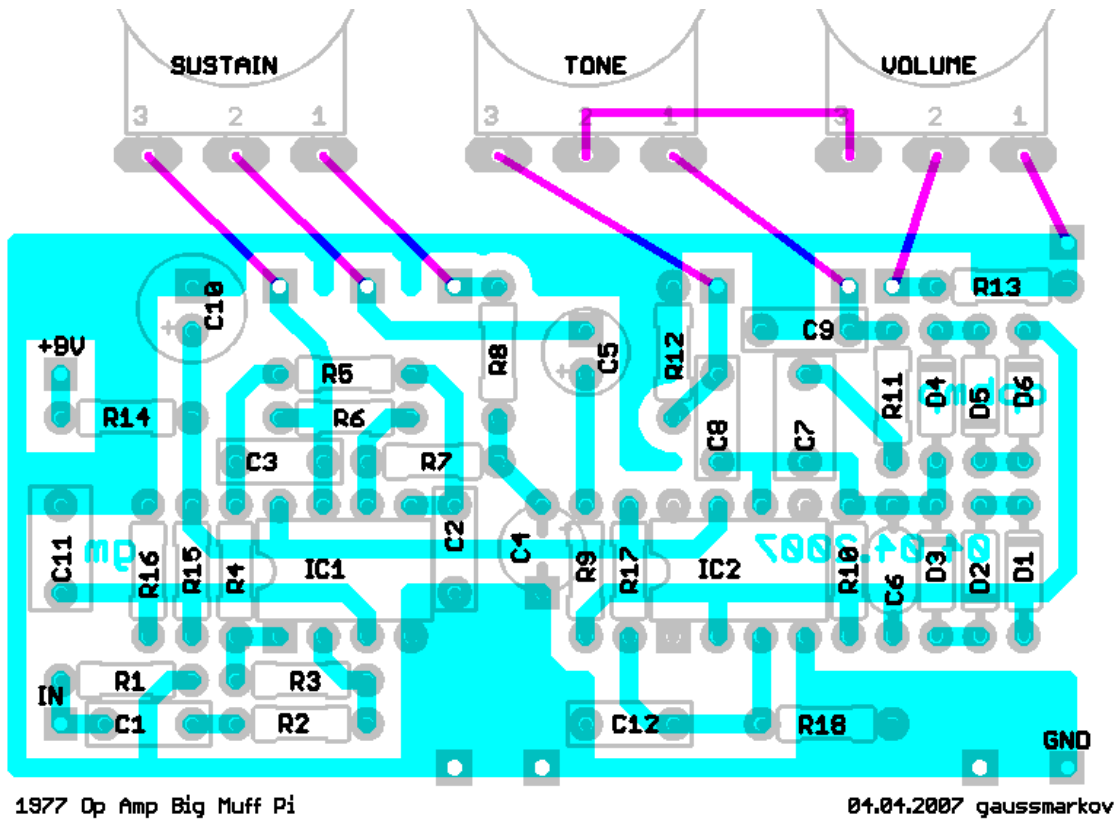
<http://gaussmarkov.net/index.php?page=layouts#opbmp>

## Notes

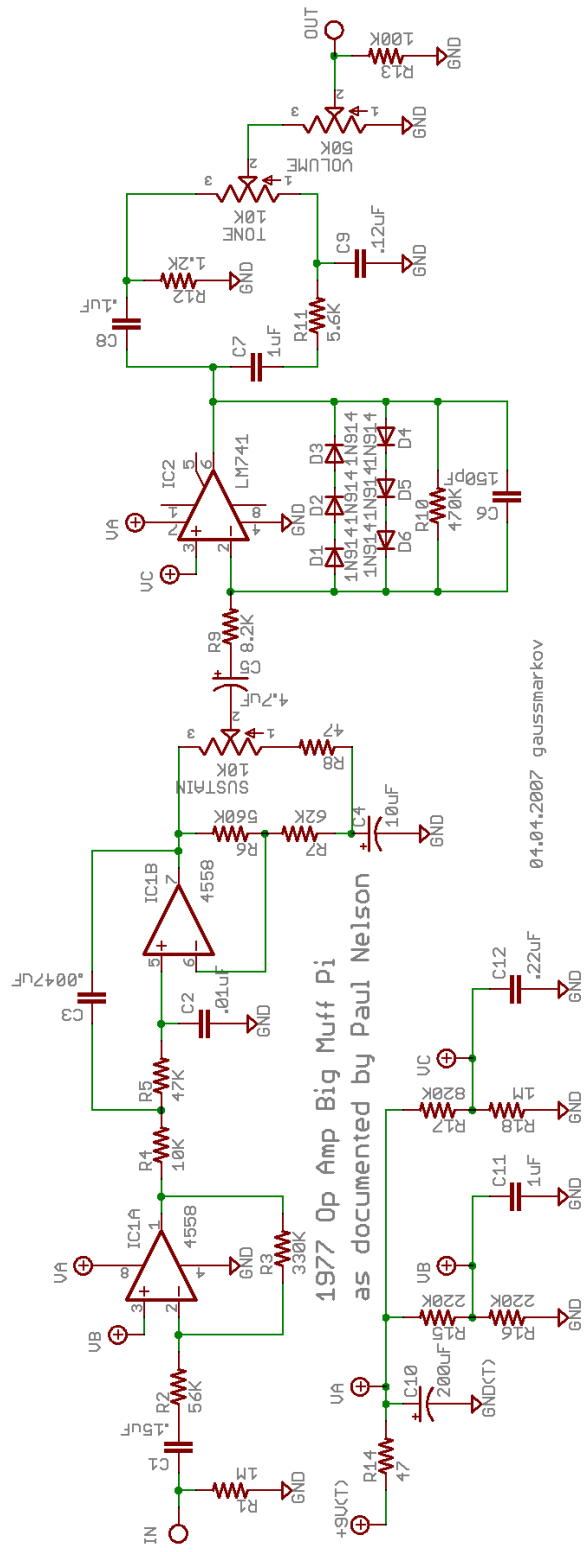
SOURCE: <http://topopiccione.atspace.com/>

This circuit was documented by Paul Nelson and his original work is the source of this project. Chris Gregory suggested the project for gaussmarkov.net. He also verified it and helped improve the layout.

## Layout



# Schematic



## Parts List

Part	Value	Library	Part	Value	Library
C1	.15uF	gm-caps-film-box	R1	1M	gm-resistors
C2	.01uF	gm-caps-film-box	R2	56K	gm-resistors
C3	.0047uF	gm-caps-film-box	R3	330K	gm-resistors
C4	10uF	gm-caps-electro-pol	R4	10K	gm-resistors
C5	4.7uF	gm-caps-electro-pol	R5	47K	gm-resistors
C6	150pF	gm-caps-ceramic	R6	560K	gm-resistors
C7	1uF	gm-caps-film-box	R7	62K	gm-resistors
C8	.1uF	gm-caps-film-box	R8	47	gm-resistors
C9	.12uF	gm-caps-film-box	R9	8.2K	gm-resistors
C10	200uF	gm-caps-electro-pol	R10	470K	gm-resistors
C11	1uF	gm-caps-film-box	R11	5.6K	gm-resistors
C12	.22uF	gm-caps-film-box	R12	1.2K	gm-resistors
D1	1N914	gm-diodes	R13	100K	gm-resistors
D2	1N914	gm-diodes	R14	47	gm-resistors
D3	1N914	gm-diodes	R15	220K	gm-resistors
D4	1N914	gm-diodes	R16	220K	gm-resistors
D5	1N914	gm-diodes	R17	820K	gm-resistors
D6	1N914	gm-diodes	R18	1M	gm-resistors
IC1	4558	gm-ics	SUSTAIN	10K	gm-pots
IC2	LM741	gm-ics	TONE	10K	gm-pots
			VOLUME	50K	gm-pots

## PCB Image

When printing this image, use "Page Scaling: None" in the Adobe Reader print dialog.

