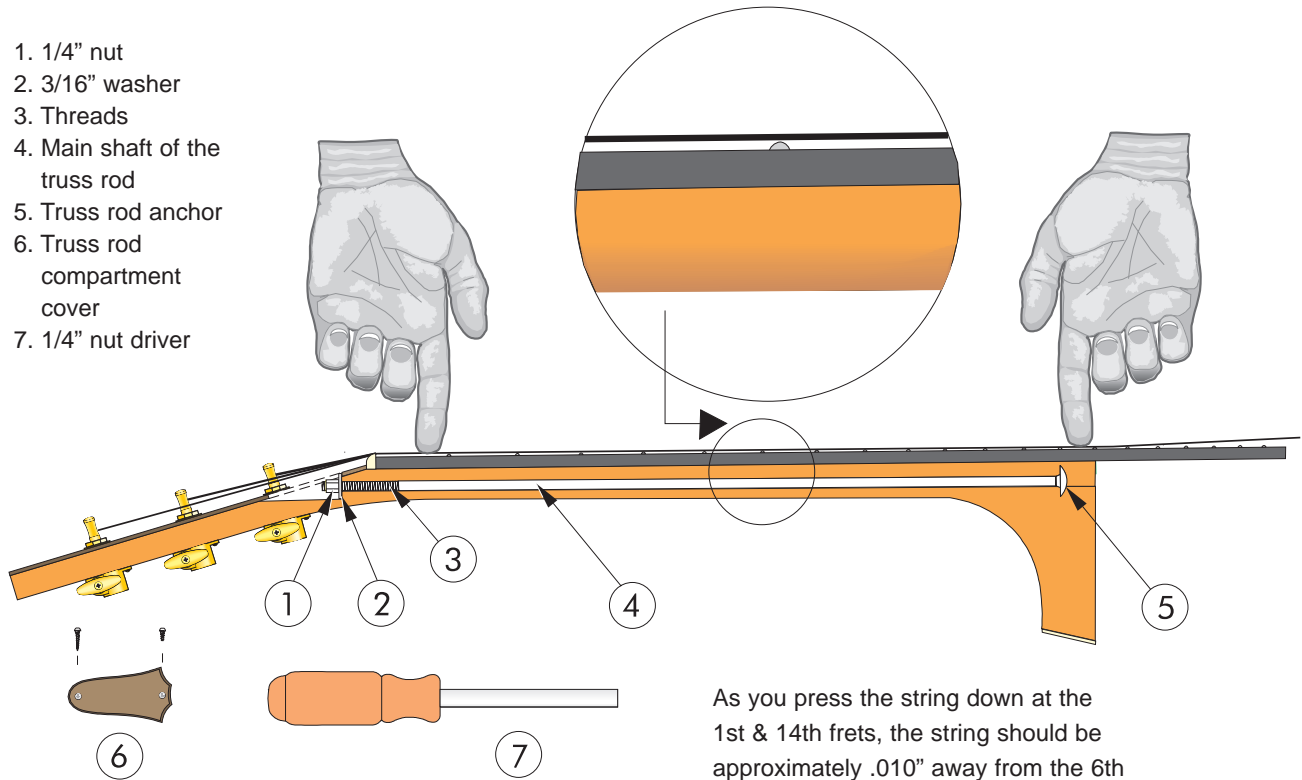


TRUSS ROD ADJUSTMENTS

1. 1/4" nut
2. 3/16" washer
3. Threads
4. Main shaft of the truss rod
5. Truss rod anchor
6. Truss rod compartment cover
7. 1/4" nut driver



As you press the string down at the 1st & 14th frets, the string should be approximately .010" away from the 6th fret—about the thickness of a business card.

A truss rod is an interior metal bar running the entire length of a guitar's neck. When tightened, it counteracts the tension created by the strings (the strings pull the neck forward; the truss rod pulls the neck backward). Proper use of the truss rod enables you to "balance" the tension on the neck and adjust the amount of bow to fit your playing style. The truss rod is

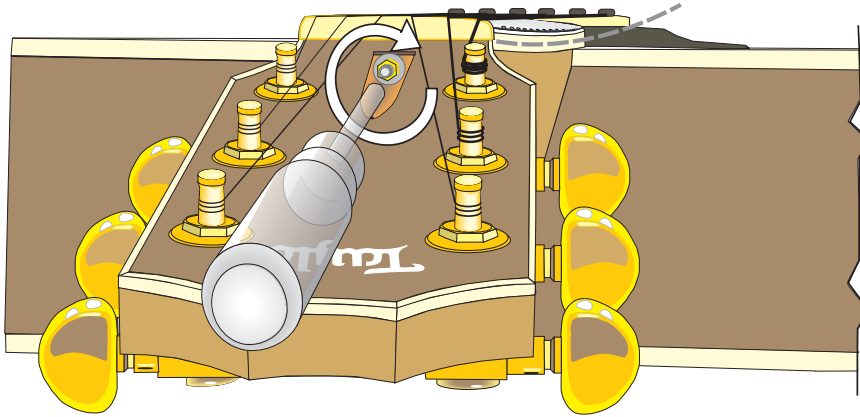
fairly rugged, so you shouldn't worry about experimenting with different adjustments. Through practice, you will find that you can compensate for seasonal changes, different string gauges, different playing styles, and slightly worn frets, simply by adjusting the truss rod.

Typically, a properly adjusted truss rod will leave a neck with a bit of for-

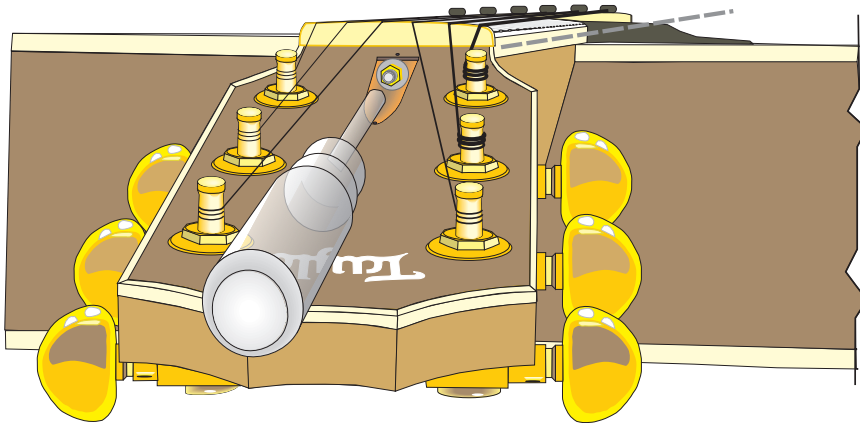
ward relief. You can use your strings as a "straight edge" by pushing them down to both the 1st and 14th frets simultaneously. Then the gap between the string and the 6th fret can be observed. A gap about the thickness of a business card is about right. From this point, you can adjust to your own preference.



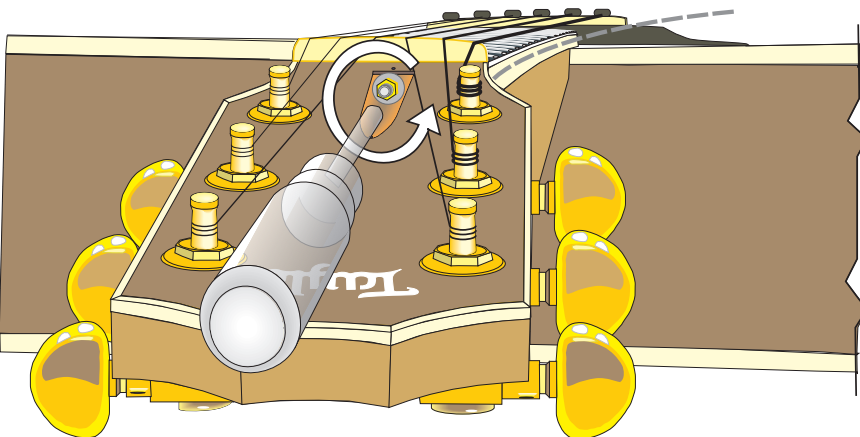
TRUSS ROD ADJUSTMENTS (continued from page 1)



TRUSS ROD TOO LOOSE: Turn clockwise to tighten



TRUSS ROD CORRECT: No adjustment needed



TRUSS ROD TOO TIGHT: Turn counter-clockwise to loosen

IMPORTANT!

STRINGS
SHOULD BE TUNED
TO CONCERT PITCH
TO PROPERLY ADJUST
THE NECK.

When the truss rod is too loose, the neck bows forward. This raises the string height and reduces string buzz. Turn the truss rod nut clockwise to counteract this condition.

When the truss rod tension is right, the neck will be straight from the 1st fret to the 14th fret. When we say "straight," we really mean a slight forward bow, as shown in the illustration on the front page of this tech sheet.

When the truss rod is too tight, the neck bows backward. This lowers the string height and increases string buzz. Turn the truss rod nut counter-clockwise to counteract this condition.



1940 GILLESPIE WAY • EL CAJON, CA 92020 • PHONE (619) 258-1207 • FAX (619) 258-1623